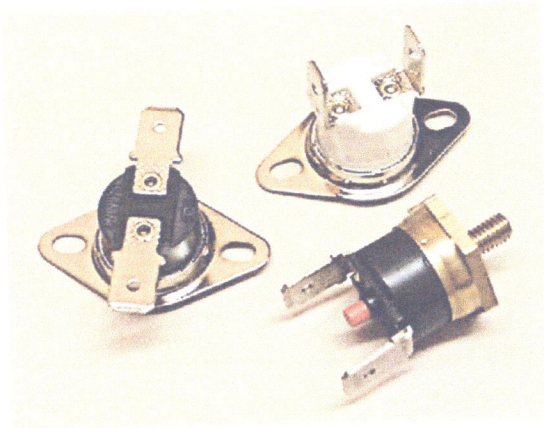


## U-A SERIES BIMETAL THERMOSTATS



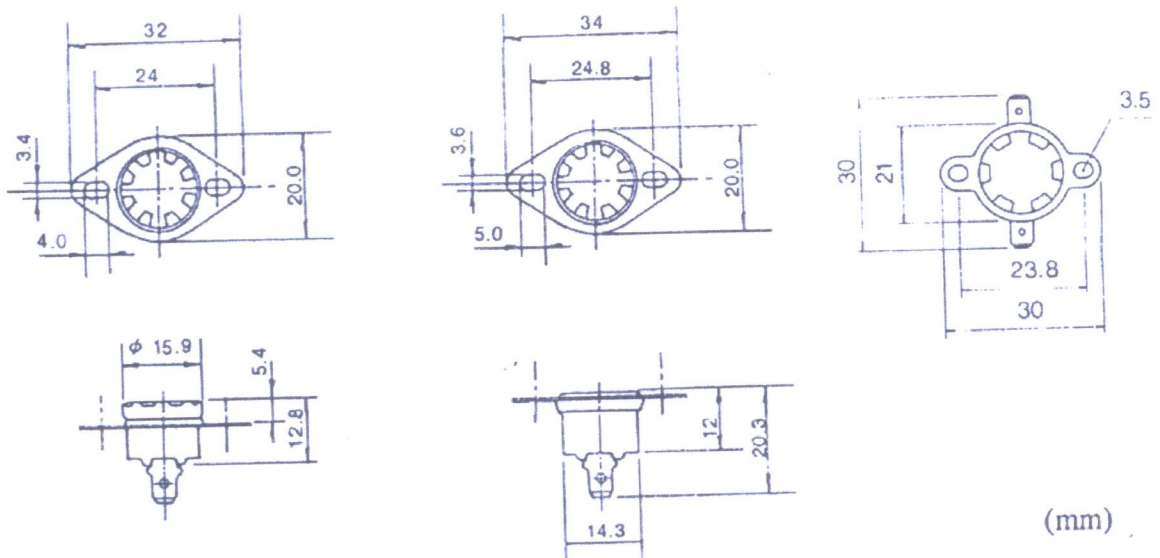
The U-A thermostat is designed as an inexpensive device for regulating or limiting temperature. It is reliable and versatile offering a wide temperature range for a variety of applications. Construction features include riveted terminals, high temperature body, snap action bimetal disc and single pole contact. Also available with ceramic body.

### U-A SPECIFICATION

Ratings: 250VAC 16(2.5) Amp T200  
10,000 cycles  
Operating Ambient: -20°C to 200°C  
Differential: Min 10°C, std 15°C to 25°C  
Dielectric Strength: 2000V AC for 1 minute  
Contact Resistance: Less than 50mΩ  
Approvals: VDE, TÜV & UL.  
Contact RTC for specific approvals data

250VAC 10(1.6) Amp T200  
100,000 cycles  
Response Temperature: 0°C to 185°C  
Tolerance: Response ± 3°C, Reset ± 5°C  
Insulation Resistance: More than 100MΩ  
(at 500V DC)  
Contacts: Normally closed or Normally Open (lower rating).

### GENERAL DIMENSIONS



(mm)